

The best selling, most compatible, most recommended, most expandable card available

Applied Engineering has solved the most common problem that computer owners have—running out of memory. RamWorks III is the perfect solution because it offers the widest and biggest memory sizes available anywhere.

RamWorks III—A card that plugs into the Apple IIe auxiliary slot and functions EXACTLY like Apple's extended 80 column card but with RamWorks III you get more memory, 80 column text, a 5 year warranty and most importantly, room to grow without using more slots. A design so advanced there's a patent on it (U.S. Patent #4601018).

With the included RamDrive™ software, RamWorks III can also be used as an ultra high speed RAM disk. Depending on the memory size of the RamWorks III card, you can emulate up to 4 disk drives with one RamWorks III card. All at about 20 times faster than mechanical floppy drives and about 5 times faster than a hard disk.

RamWorks III can be used as a solid state disk with DOS 3.3, PASCAL, CP/M and ProDos (up to 5,700 blocks free)!

RamWorks III can be purchased in a wide range of sizes and is user upgradeable using either 64K RAMS or the new 256K RAMS. If you already have an extended 80 column card, no problem. Just unplug the 64K RAMS and plug them into the RamWorks III for an additional 64K. An RGB option is also available, you can order it with your RamWorks III card or add it on at a later date.

RamWorks III saves you time, money, slots and hassle. You'll have additional memory NOW and in the future.

The AppleWorks Amplifier

While RamWorks III is recognized by all memory intensive programs, NO other expansion card (Ram-

Factor excepted) comes close to offering the multitude of enhancements to AppleWorks that RamWorks III does. Naturally, you'd expect RamWorks III to expand the available desktop, after all Applied Engineering was a year ahead of everyone else *including Apple* in offering more than 55K in AppleWorks and we still provide the largest AppleWorks desktops available. But a larger desktop is just part of the story. Just look at all the AppleWorks enhancements that even Apple's own card does not provide and RamWorks III does. With a 256K or larger RamWorks III, all of AppleWorks will automatically load itself into RAM dramatically increasing speed by eliminating all the time required to access the program disk drive. Now switch from word processing to spreadsheet to database at the speed of light with no wear on disk drives.

RamWorks III eliminates AppleWorks' internal memory limits, increasing the maximum number of records available from 1,350 to over 22,000. RamWorks III increases the number of lines permitted in the word processing mode from 2,250 to over 22,000. And RamWorks III (256K or larger) offers a built-in buffer, so you won't have to wait for your printer to stop before returning to AppleWorks. RamWorks III even expands the clipboard from 250 to 2,042 lines. And auto segments large files so they can be saved on two or more disks.

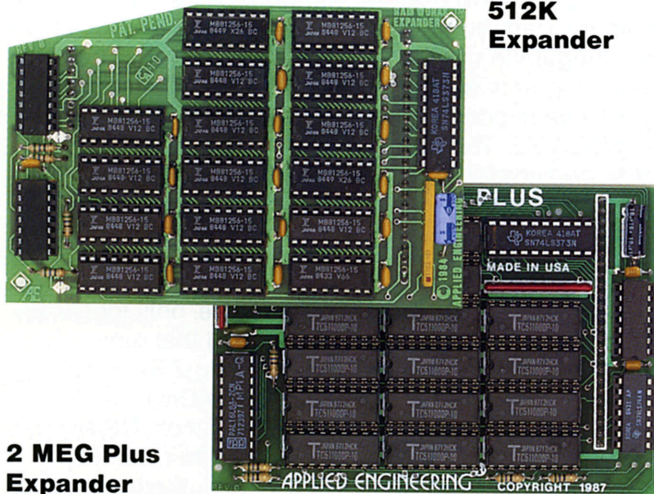
RamWorks III, nothing comes close to enhancing AppleWorks so much.

The Most Friendly, Most Compatible Card Available

Using RamWorks III couldn't be easier because it's compatible with more off-the-shelf software than most other RAM cards (RamFactor and GS-RAM excepted). Popular programs like AppleWorks, Pinpoint, Catalyst,

More on next page

MacroWorks, HowardSoft, FlashCalc, The VIP Professional, Managing Your Money, and SuperCalc 3a to name a few (and most hardware add on's like ProFile and Sider hard disks). RamWorks III is even compatible with software written for Apple cards. But unlike other cards, RamWorks III plugs into the IIe auxiliary slot providing our super sharp 80 column text in a completely integrated system while leaving expansion slots 1 through 7 available for other peripheral cards.



2 MEG Plus Expander

512K Expander

Should you ever run low on memory with RamWorks III (unlikely) you can add these expander cards to your RamWorks III at any time. And of course, the above expander cards are compatible with the original RamWorks too.

True 65C816 Bit Power

RamWorks III has a built-in 65C816 CPU port for direct connection to our optional 65C816 card. The only one capable of linearly addressing more than 1 MEG of memory for power applications like running the Lotus 1-2-3™ compatible program, VIP Professional. Our 65C816 card does not use another slot but replaces the 65C02 yet maintains full 8 bit compatibility.

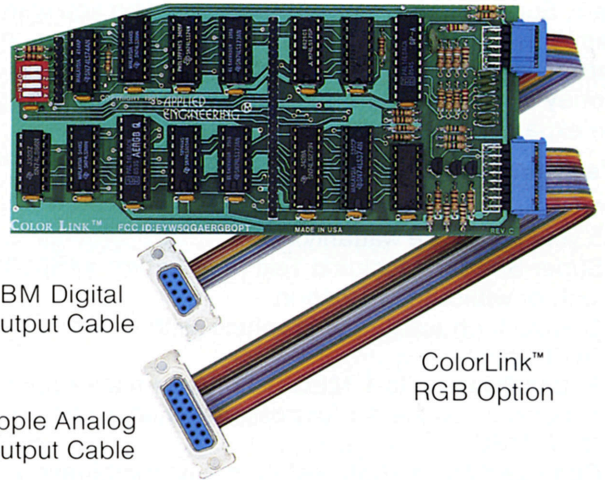
It's Popular

Popularity translates into great software support because software companies can't support all RAM cards, they can only support the ones their customers are likely to own. And software companies appreciate the fact that when they write software for RamWorks II in the IIe, they're also writing software for our memory expansion card for the IIc, Z-RAM. And our customer list reads like the Who's Who of Apple computing with just about every software company in the land buying one, including Apple Computer.

It's Reasonable

Applied Engineering's years of experience and wide product line really pays off, and because of our high sales levels we buy most of our I.C. chips factory

direct. So don't let our low prices fool you, they're caused by high volume production. That's why we can offer the most memory for the least money.



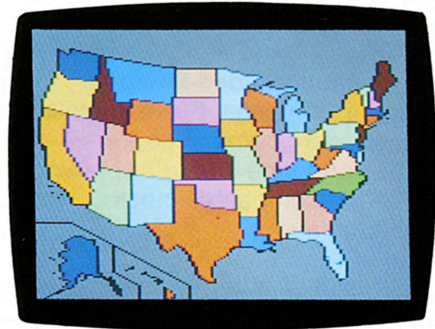
IBM Digital Output Cable

Apple Analog Output Cable

ColorLink™ RGB Option

It's In Color

The same slot that's used for memory expansion is also the slot that's used for RGB color display. RamWorks III lets you decide later to add RGB color. For only \$129, an RGB option can be added to RamWorks III to give you double high resolution color graphics and 80 column text. All with razor sharp, vivid brilliance that's unsurpassed in the industry. The RGB option does not waste another valuable slot, but rather plugs into the back of RamWorks III with no slot 1 interference (works on the original RamWorks too).



You'll appreciate the multiple text colors (others only have green) that come standard. But the RamWorks III RGB option is more than just the ultimate in color output because unlike others, it's fully compatible with all the Apple standards for RGB output control, making it more compatible with off-the-shelf software. With its FCC certified design, you can use almost any RGB monitor because only the new RamWorks III RGB option provides both Apple standard analog and IBM standard digital outputs (cables included). And remember, you can order the RGB option with your RamWorks III or add it on at a later date.

More on next page

It Corrects Mistakes

Let's say you bought some other RAM card (and that's a mistake) and your RAM card is not being recognized by AppleWorks, Advanced VisiCalc, FlashCalc, Supercalc 3A, or other programs and you want RamWorks III. No problem. The memory chips on the card that you have now, which is where most of the money is, can be unplugged and then plugged into the expansion sockets on RamWorks III.

It's Got It All

- 15 Day Money Back Guarantee
- 5 year no hassle warranty
- Super Sharp 80 Column Text (U.S. Patent #4601018) with or without RGB option
- Double high resolution graphics (with or without RGB option)
- Expandable up to 1 MEG (1024K) on main board
- Expansion Connector for possible future expansion to 16 MEG
- Can use 64K or 256K RAMS in any combination
- Linear Addressing Co-Processor Port
- Automatic AppleWorks Expansion up to 3017K desktop
- Accelerates AppleWorks
- Built-in AppleWorks printer buffer
- 100% compatible with all standard IIe software
- RamDrive™ and ProDrive™, the ultimate disk emulator software, included free
- Compatible, RGB option featuring ultra high resolution color graphics and multiple text colors, with cables for both Apple and IBM type monitors
- Built-in self-diagnostic software
- Lowest power consumption (U.S. Patent #4601018)
- Takes only one slot—No slot 1 interference
- Software industry standard
- 16 bit option
- Advanced Computer Aided Design
- Used by Apple Computer, Steve Wozniak and virtually all software companies
- Displays date and time on the AppleWorks screen with any ProDos compatible clock
- Much, much more!

| | |
|--|--------|
| RamWorks III with 64K | \$179 |
| RamWorks III with 256K | \$199 |
| RamWorks III with 512K | \$249 |
| RamWorks III with 1 MEG | \$329 |
| RamWorks III with 1.5 MEG | \$489 |
| RamWorks III with 3 MEG | \$1499 |
| 512K Expander | \$199 |
| 2 MEG Plus Expander with 1 MEG | \$499 |
| 2 MEG Plus Expander | \$799 |
| RGB Option (can be added later) | \$129 |
| 16 Bit Option, 65C802 (can be added later) ... | \$69 |
| 16 Bit Option, 65C816 (can be added later) .. | \$159 |

**LOW COST SOFTWARE OPTIONS
RamDrive™ (now included FREE!)**

RamDrive will give you a high speed solid state disk drive. The RamDrive software features audio-visual access indicators, easy setup for turnkey operation, and easy menu driven documentation. The program can be modified and is copyable. If you have a 64K RamWorks III, RamDrive will act as half a disk drive. If you have a 128K RamWorks III, RamDrive will act as a full disk drive. As you go past 128K of memory, RamWorks III will act as multiple disks, so all one megabyte can be as a solid state disk. Either way, your programs will load and save over 20 times faster. RamDrive is compatible with APPLESOFT, ProDos and DOS 3.3. The disk also includes a high speed RAM copying program. RamDrive is another disk drive only 20 times faster and no whirring, clicking or waiting!

CP/M RamDrive™

CP/M RamDrive is just like RamDrive, only for CP/M. CP/M RamDrive runs on any Z-80 card that runs standard CP/M, i.e. Applied Engineering Z-80 Plus, Microsoft Soft Card of PCPI. CP/M RamDrive will dramatically speed up the operation of most CP/M software because CP/M normally goes to disk fairly often. Fast acting software like dBase II, Wordstar and Turbo Pascal becomes virtually instantaneous when used with CP/M RamDrive.

- Z-80 Plus, Microsoft version **\$29**
- PCPI APPLI-CARD version **\$29**

VC IIe Expander

VC IIe Expander gives owners of Visicalc IIe and Advanced Visicalc IIe increased storage. When used with VC IIe you'll get 141K workspace (128K RamWorks III or larger required). When used with Advanced VC IIe you'll get 131K with a 128K RamWorks III, 253K with a 256 RamWorks III and 437K with a 512K RamWorks III.

VIP Professional

A new generation spreadsheet, with almost unlimited memory and unlimited power and a real Macintosh style interface. VIP Professional has the same commands and features as Lotus 1-2-3™. No other spreadsheet even compares. \$249 list price.

- Enhanced Apple IIe/IIc
(requires 256K min. RamWorks or Z-RAM **\$219**
- Apple IIgs **\$269**

Pinpoint's AppleWorks Accessories with Ram Enhancement Software for 128K Enhanced IIe/IIc

Together a \$118 value..... **\$79**



and C.O.D. 214/241-6060