

APPLI-CARD

Personal Computer Products, Inc.

DATE: 2-28-83

REV. 7039012

REV. A

Sheet 1 of 1

NOTE 1: D1711 WHEN DATA TO Z80 IS READY
 NOTE 2: D011 WHEN DATA TO APPLI IS READY
 NOTE 3: CS0L=READ DATA FROM Z80 TEMPL
 CS1L=READ DATA FROM APPLI TO Z80
 CS2L=READ DATA FROM Z80 STATUS
 CS3L=READ DATA FROM APPLI STATUS
 NOTE 4: PIN 1 OF Z80 AND Z80132 CONNECT TO
 SIGNAL

WAIT FFs

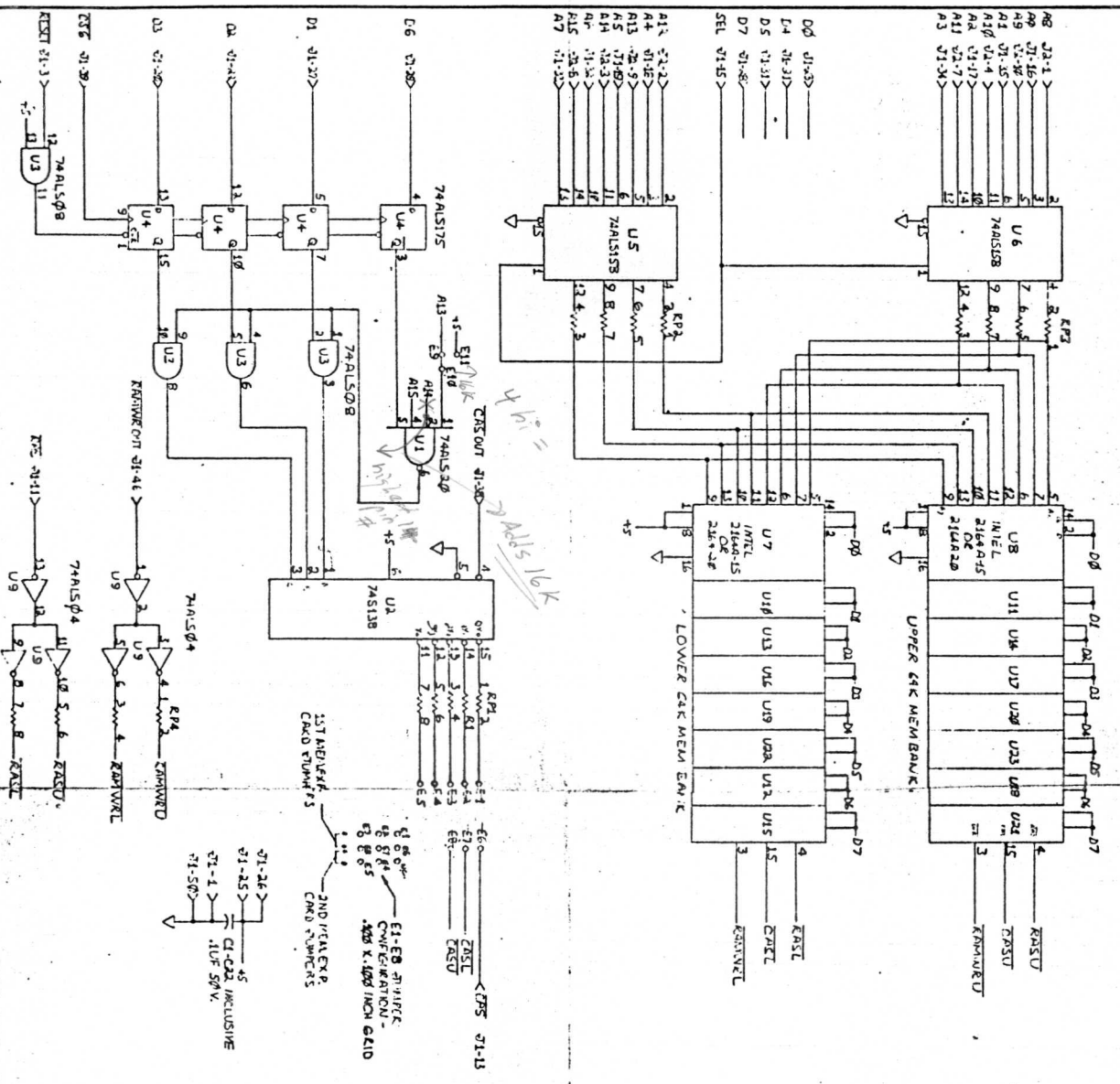
U18 74LS00
 U19 74LS04
 U20 74LS125
 U21 74LS132
 U22 74LS138
 U23 74LS158
 U24 74LS244
 U25 74LS132
 U26 74LS132
 U27 74LS132

C1 74LS00
 C2 74LS00
 C3 74LS00
 C4 74LS00
 C5 74LS00
 C6 74LS00
 C7 74LS00
 C8 74LS00
 C9 74LS00
 C10 74LS00
 C11 74LS00
 C12 74LS00
 C13 74LS00
 C14 74LS00
 C15 74LS00
 C16 74LS00
 C17 74LS00
 C18 74LS00
 C19 74LS00
 C20 74LS00
 C21 74LS00
 C22 74LS00
 C23 74LS00
 C24 74LS00
 C25 74LS00
 C26 74LS00
 C27 74LS00
 C28 74LS00
 C29 74LS00
 C30 74LS00

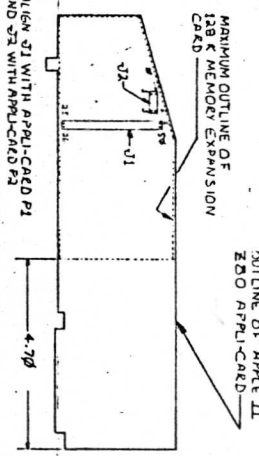
NOTE TO ALL PERSONS RECEIVING THIS DRAWING
 THIS DOCUMENT IS THE PROPERTY OF PERSONAL
 COMPUTER PRODUCTS, INC. (PCPP) AND IS LOANED
 TO YOU FOR YOUR USE ONLY. IT IS NOT TO BE
 REPRODUCED, COPIED, OR TRANSMITTED IN ANY
 FORM OR BY ANY MEANS, ELECTRONIC OR MECHANICAL,
 INCLUDING PHOTOCOPYING, RECORDING, OR BY ANY
 INFORMATION SYSTEMS RETRIEVAL SYSTEM, WITHOUT
 THE EXPRESS WRITTEN CONSENT OF PERSONAL
 COMPUTER PRODUCTS, INC. NO RIGHT IS GRANTED TO
 DISCLOSE OR SO USE ANY INFORMATION CONTAINED
 IN SAID DOCUMENT

50) C28 ±10UF 50V
 33) C23 ±10UF 50V

NOTE: ALL RESISTORS ARE 220 1/4 WATT UNLESS OTHERWISE SPECIFIED



REVISIONS			
REV	DESCRIPTION	DATE	APPROVED
0	INITIAL DESIGN AND P.C. BOARD	10-17-81	E.C.
1	FIRST PCB'S BOMAS - SWMCK CONFLG CHANGE	12-29-81	AK



NOTES:
1- PATED HOLES FOR JUMPER S1-E11 AND CONNECTORS 21 AND 22 ARE .040" DIA

NOTICE TO ALL PERSONS RECEIVING THIS DRAWING
THIS DOCUMENT IS THE PROPERTY OF PERSONAL COMPUTER PRODUCTS INC (PCPI) AND IS LOANED OR THE EXPRESS CONDITION THAT IT IS PART OR USED FOR MANUFACTURE FOR ANYONE OTHER THAN PCPI WITHOUT ITS WRITTEN CONSENT AND THAT NO RIGHT IS GRANTED TO DISCLOSE OR SO USE ANY INFORMATION CONTAINED IN SAID DOCUMENT

APR 88 883

PROJECT NUMBER	128K MEMORY EXPANSIVE BOARD
DATE	11-2
APPROVAL	C
REVISION	001-0002-01
DATE	11-2
BY	C
CHKD BY	001-0002-01
DATE	11-2
BY	C

DIMENSIONS ARE IN INCHES