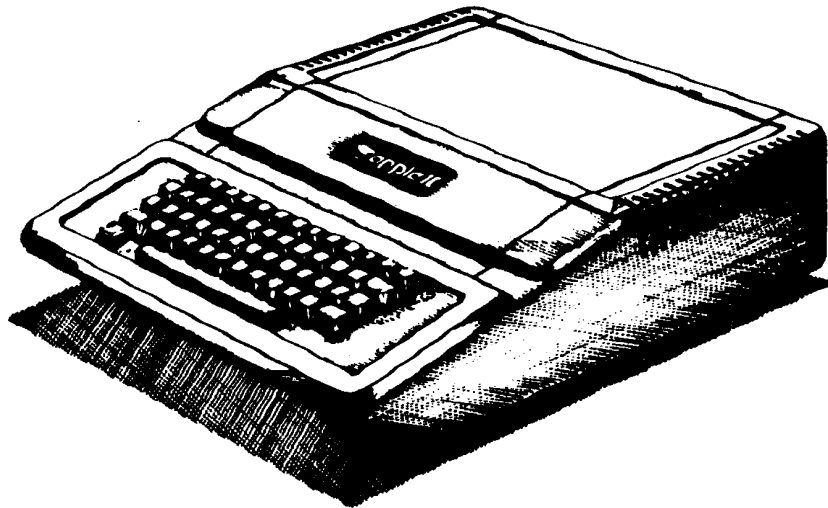




Apple 2 Computer Technical Information



Apple II Computer Family Information

*Schematic : Parallel Printer Card
050-0003-01 11/79*

Apple Service Level 2 Technical Reference # 204-1011 vol. 2

Document # **511**

Ex Libris David T. Craig

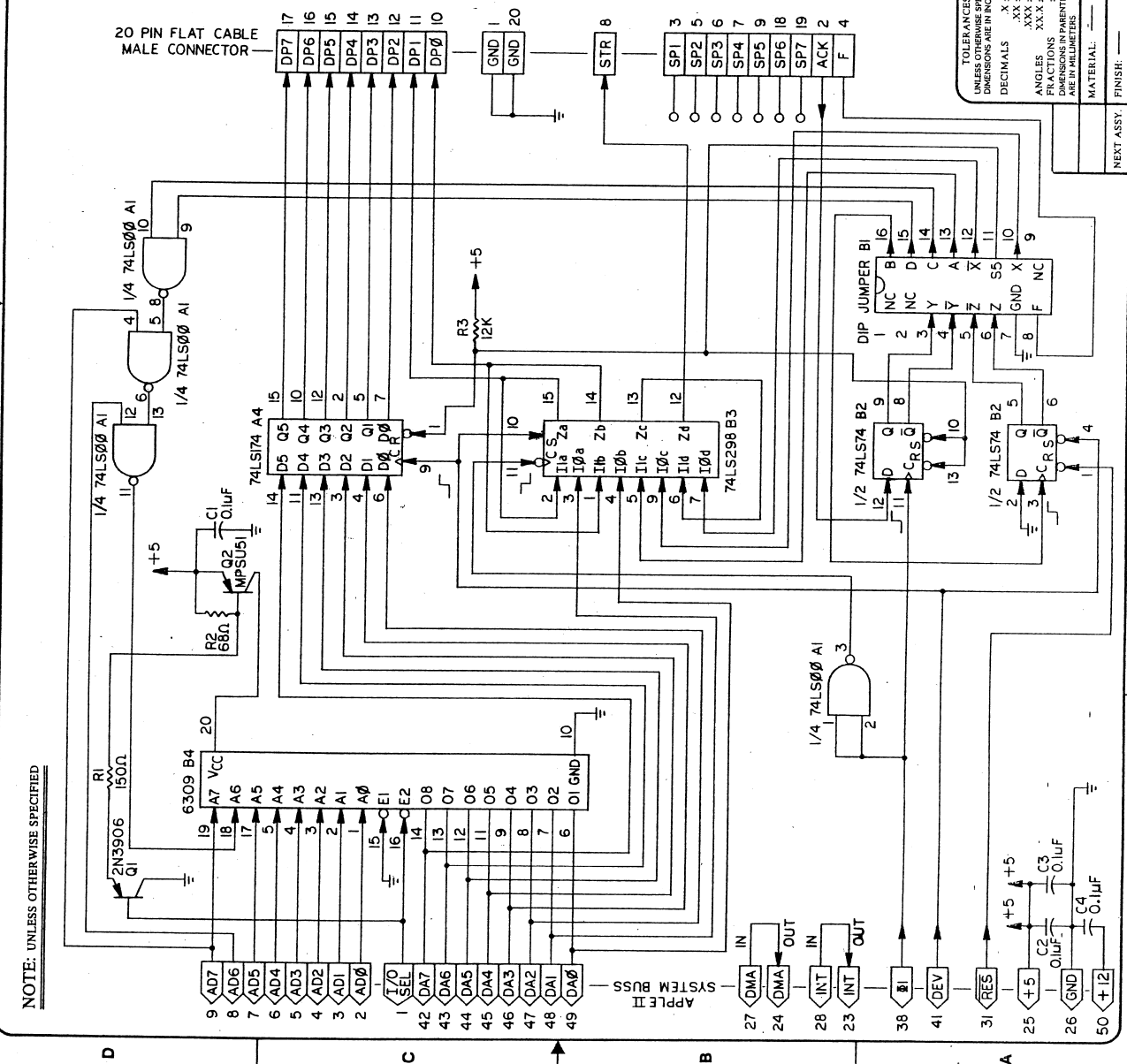
REV. ZONE	ECO #	REVISION	APPD.
00		INITIAL RELEASE	
01	A4	ADDED C4	APD

DRAWING NUMBER 050-0003-01 SH 1 OF 1

**APPLE COMPUTER
CONFIDENTIAL**

ENGINEERING RELEASE
This revision supersedes all previous versions. Please destroy all old copies.
NOTICE OF PROPRIETARY PROPERTY
The information disclosed herein is the property of Apple Computer, Inc. The possessor agrees to the following:
(i) To maintain this document in confidence.
(ii) Not to reproduce or copy it.
(iii) Not to reveal or publish it in whole or part.

ITEM	QTY	PART NUMBER	DESCRIPTION												
<table border="1"> <tr> <td>TOLERANCES UNLESS OTHERWISE SPECIFIED</td> <td>DATE</td> </tr> <tr> <td>DECIMALS .X 4</td> <td>12/7/77</td> </tr> <tr> <td>ANGLES XXX.X</td> <td>DATE</td> </tr> <tr> <td>FRACTIONS XXX.X</td> <td>12/1/77</td> </tr> <tr> <td>DIMENSIONS IN PARENTHESES ARE IN MILLIMETERS</td> <td>DATE</td> </tr> <tr> <td>MATERIAL: _____</td> <td>DATE</td> </tr> </table>				TOLERANCES UNLESS OTHERWISE SPECIFIED	DATE	DECIMALS .X 4	12/7/77	ANGLES XXX.X	DATE	FRACTIONS XXX.X	12/1/77	DIMENSIONS IN PARENTHESES ARE IN MILLIMETERS	DATE	MATERIAL: _____	DATE
TOLERANCES UNLESS OTHERWISE SPECIFIED	DATE														
DECIMALS .X 4	12/7/77														
ANGLES XXX.X	DATE														
FRACTIONS XXX.X	12/1/77														
DIMENSIONS IN PARENTHESES ARE IN MILLIMETERS	DATE														
MATERIAL: _____	DATE														
apple computer inc.			TITLE PARALLEL PRINTER CIRCUIT SCHEMATIC												
SIZE C 050-0003-01			DRAWING NUMBER 050-0003-01												
SCALE: _____			SHEET 1 OF 1												



NOTE: UNLESS OTHERWISE SPECIFIED