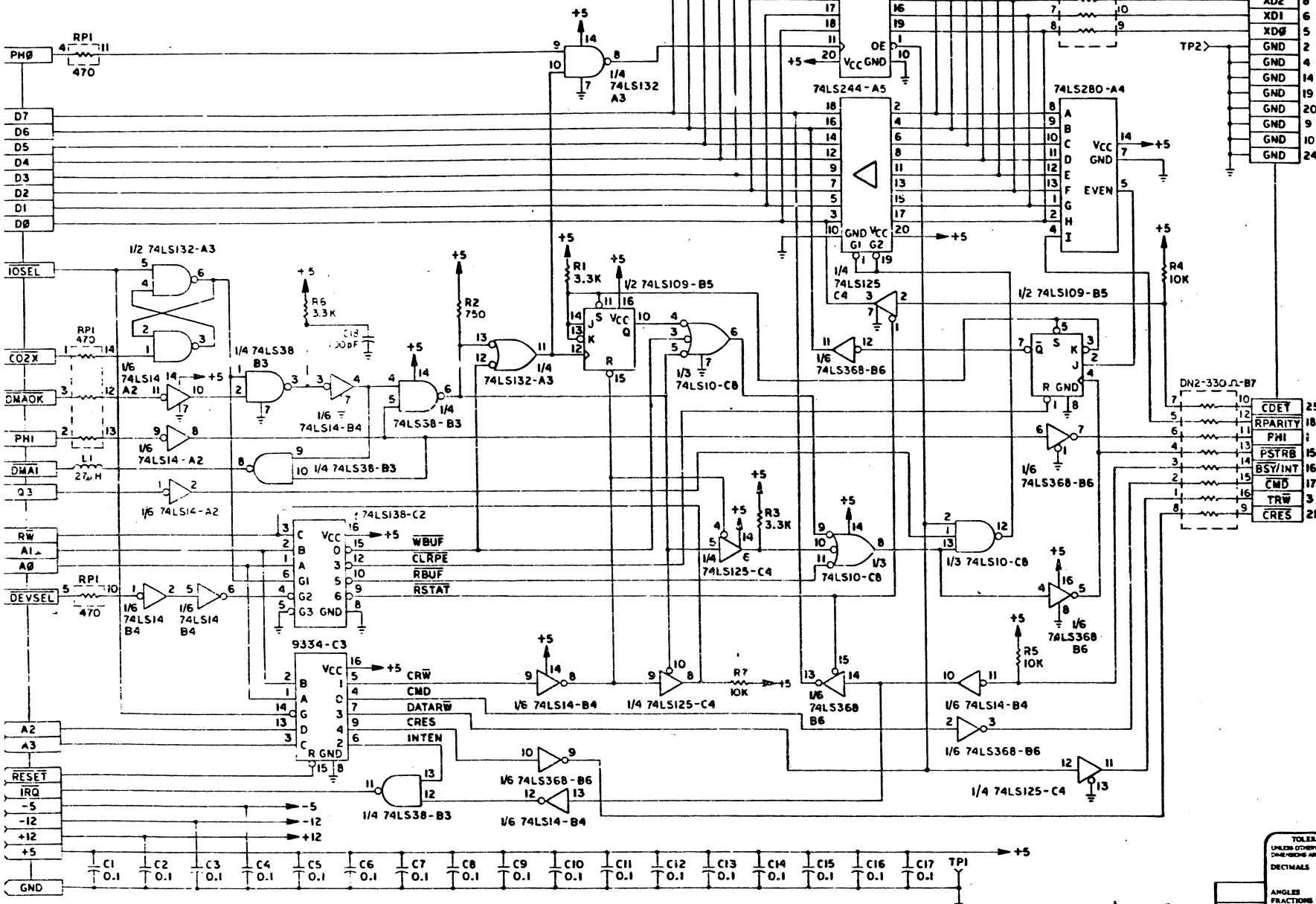


REV	ZONE	ECO #	REVISION	APPD
A		P163	INITIAL RELEASE	

NOTE: UNLESS OTHERWISE SPECIFIED

ALL RESISTANCE VALUES ARE IN OHMS, 1/4 WATT, ± 5%
 ALL CAPACITANCE VALUES ARE IN MICROFARADS



**APPLE COMPUTER
 CONFIDENTIAL**

ENGINEERING RELEASE
 This revision supersedes all previous versions.
 Please destroy all old copies.
NOTICE OF PROPRIETARY PROPERTY
 The information contained herein is the
 proprietary property of Apple Computer, Inc.
 The possessor agrees to the following:
 (I) To maintain this document in confidence
 (II) Not to reproduce or copy it.
 (III) Not to reveal or publish it in whole or part.

ITEM	QTY	PART NUMBER	DESCRIPTION
TOLERANCES UNLESS OTHERWISE SPECIFIED DIMENSIONS ARE IN INCHES DECIMALS .X = .001 FRACTIONS XXX/1000 ANGLES XXX.X DIMENSIONS IN PARENTHESES ARE IN MILLIMETERS			
DRAWN BY Q. Brown		DATE 9/91	
CHECKED BY [Signature]		DATE 1/1982	
APPROVED BY K. Woody		DATE 1/18/82	
MATERIAL		TITLE SCHEMATIC APPLE III INTERFACE, PROFILE	
NEXT ASSY VIEWSE:		DRAWING NUMBER 050-3007-A	
SCALE		SHEET 1 OF 1	

THIRD ANGLE PROJECTION
 DO NOT SCALE DRAWING