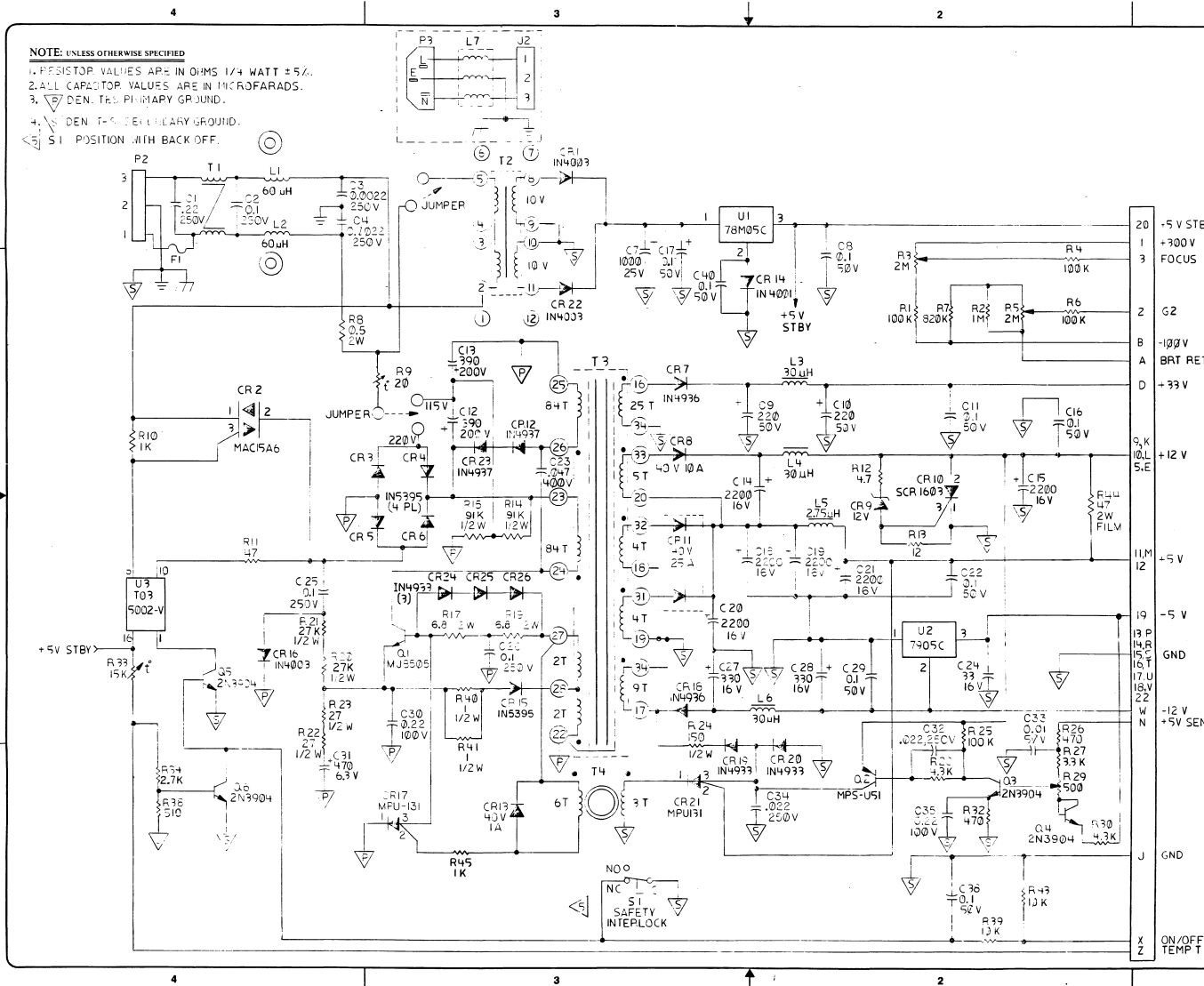


NOTE: UNLESS OTHERWISE SPECIFIED
 1. RESISTOR VALUES ARE IN OHMS 1/4 WATT ± 5%.
 2. ALL CAPACITOR VALUES ARE IN MICROFARADS.
 3. ▽ DENOTES PRIMARY GROUND.
 4. ▽ DENOTES SECONDARY GROUND.
 5. S1 POSITION WITH BACK OFF.



| REV | ZONE | ECO # | REVISION | APPR |
|-----|------|-------|--|------|
| A | | 2084 | INITIAL RELEASE | |
| E | 32 | 2566 | U1, CR3, LABELED P26 470 | |
| | | 2567 | ADDED CR12, LABELED P26 470 | |
| D | | 2568 | CR18 WAS IN4933, CR23 WAS 250V, R14 & R15 WERE 47K, CR25 WERE 220V, CR26 WAS IN4933, DELETED R10, R15, R17 & WERE 1/2 W, CR22 WAS 100V | |
| E | | 2569 | R20 & R21 WERE 47K | |
| F | | 2570 | ADDED TRANSFORMER CR15 WAS 470V, CR16 WAS 250V, CR17 WAS 250V | |
| H | C3 | 2528 | ADDED JUMPER BETWEEN C12 & C13 TO 100V | |
| J | 2A | 2595 | R30 WAS 47K | |

| | |
|------|------------|
| 20 | +5V STBY |
| 1 | +300V |
| 3 | FOCUS |
| 2 | G2 |
| B | -100V |
| A | BRT RETURN |
| D | +33V |
| 9,K | +12V |
| 10,L | |
| 5,E | |
| 11,M | -5V |
| 12 | |
| 19 | -5V |
| 13,P | GND |
| 14,R | |
| 15,C | |
| 16,T | |
| 17,U | |
| 18,V | |
| 22 | |
| W | -12V |
| N | +5V SEN |
| J | GND |
| X | ON/OFF |
| Z | TEMP |

HIGHEST REF DESIGNATION USED
 C40, CR26, L6, Q6, R45, SW, T4, U3

| | | | |
|--|-------------|---------------------|------------|
| METRIC | | apple computer inc. | |
| NOTICE OF PROPRIETARY PROPERTY | | | |
| THIS DOCUMENT CONTAINS THE BEST AVAILABLE COPY OF THE INFORMATION CONTAINED HEREIN IS THE PROPERTY OF APPLE COMPUTER, INC. AND IS TO BE USED ONLY FOR THE PURPOSES SPECIFIED HEREIN. | | | |
| SCHEMATIC POWER SUPPLY LISA | | | |
| DATE | DESIGNED BY | APPROVED BY | DATE |
| 10/1/80 | P.O.S. | CHRISTNER | 10/1/80 |
| REVISED BY | REASON | DATE | REVISED BY |
| | NONE | | |
| PROJECT | DATE | REVISED BY | DATE |
| 050-4011-J | | | |

11 P-1011-050